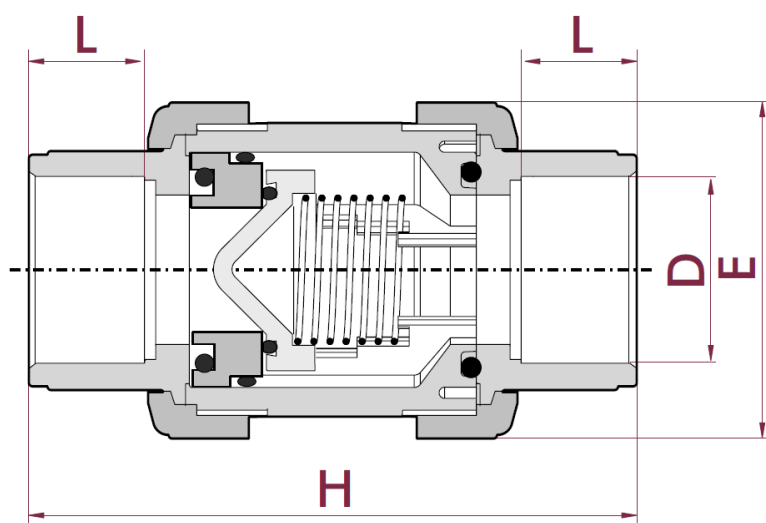


PVC Check Valve Solvent (Imperial)



D	Part Number	PN	L	H	E
1/2"	164020-BS	16	16	84	52
3/4"	164025-BS	16	19	108	62
1"	164032-BS	16	22	119	70
1 1/4"	164040-BS	16	26	142	84
1 1/2"	164050-BS	16	31	162	94
2"	164063-BS	16	38	192	117
2 1/2"	164075-BS	10	44	232	148
3"	164090-BS	10	51	269	179
4"	164110-BS	10	61	279	179