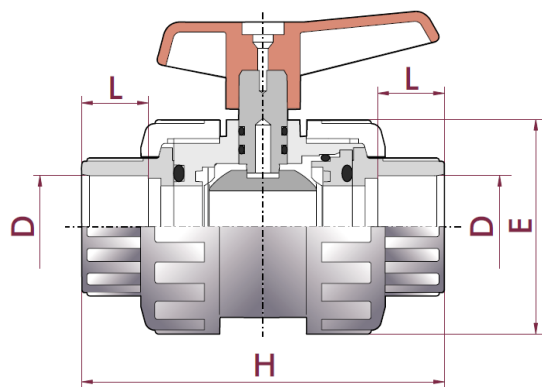


## Solvent Cement Double Union Ball Valves (Imperial)



D	Part Number	PN	L	H	E
1/2"	140020-BS	16	16	84	52
3/4"	140025-BS	16	19	108	62
1"	140032-BS	16	22	124	70
1 1/4"	140040-BS	16	26	142	84
1 1/2"	140050-BS	16	31	167	104
2"	140063-BS	16	38	198	120
2 1/2"	140075-BS	10	44	232	148
3"	140090-BS	10	51	269	179
4"	140110-BS	10	63	359	228