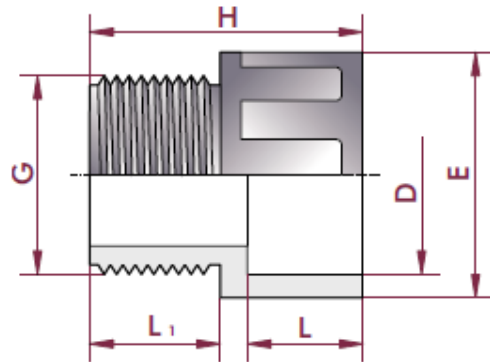


## Male Bush



| DXG             | Part Number | PN | L  | L1 | E   | H   |
|-----------------|-------------|----|----|----|-----|-----|
| 1/2" x 1/2"     | 134020-BS   | 10 | 16 | 14 | 28  | 38  |
| 3/4" x 3/4"     | 134025-BS   | 10 | 19 | 16 | 34  | 42  |
| 1" x 1"         | 134032-BS   | 10 | 22 | 19 | 41  | 50  |
| 1 1/4" x 1 1/4" | 134040-BS   | 10 | 26 | 21 | 51  | 55  |
| 1 1/2" x 1 1/2" | 134050-BS   | 10 | 31 | 30 | 62  | 65  |
| 2" x 2"         | 134063-BS   | 10 | 38 | 30 | 77  | 75  |
| 2 1/2" x 2 1/2" | 134075-BS   | 10 | 44 | 30 | 90  | 85  |
| 3" x 3"         | 134090-BS   | 10 | 51 | 33 | 108 | 98  |
| 4" x 4"         | 134110-BS   | 10 | 61 | 40 | 131 | 115 |