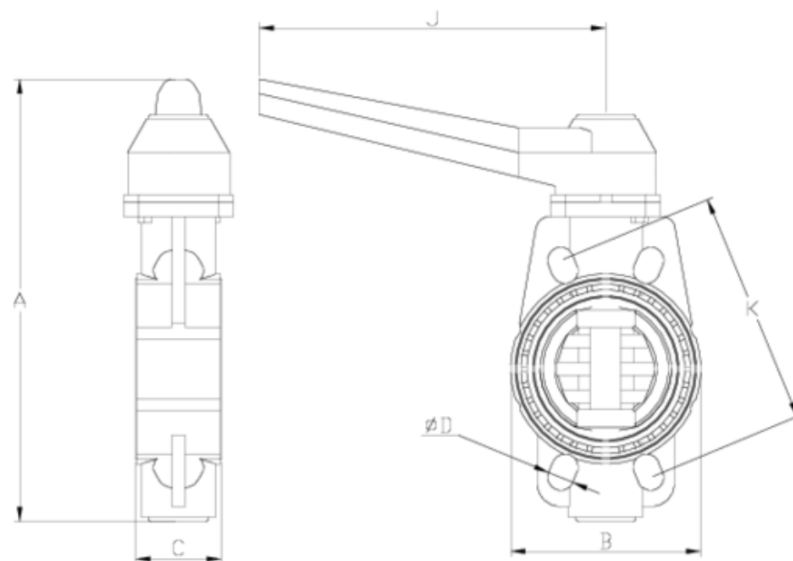


Compact Butterfly Valves



Part Number	Description	Net Weight	Volume	Gross Weight
170160-H	160mm PVC Butterfly Valve	3.613	0.06347	16.38



Part Number	F	Weight	A	B	C	D	K	J	PN	Measurement
170160-H	160	3450	386	214	69	22x8	235-241	272	PN10	Metric