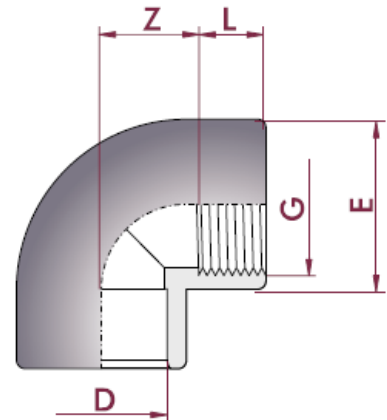


90 Degree Female Solvent Cement Female Elbow



D X G	Part Number	PN	L	Z	E
1/2" X 1/2"	130020-BS	10	16	11	27
3/4" X 3/4"	130025-BS	10	19	14	33
1" X 1"	130032-BS	10	22	17	41
1 1/4" X 1 1/4"	130040-BS	10	26	21	50
1 1/2" X 1 1/2"	130050-BS	10	31	26	61
2" X 2"	130063-BS	10	38	33	76